

ECOWATER
SYSTEMS®



Your Water. Perfected.



Let us

Perfect

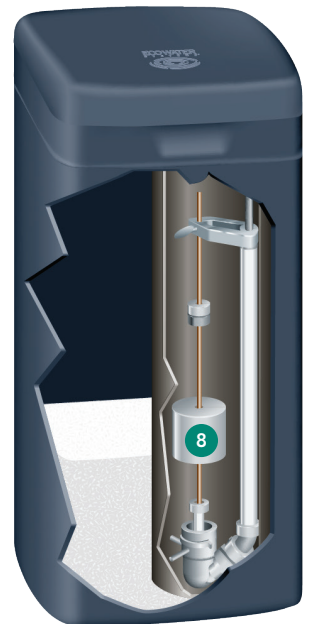
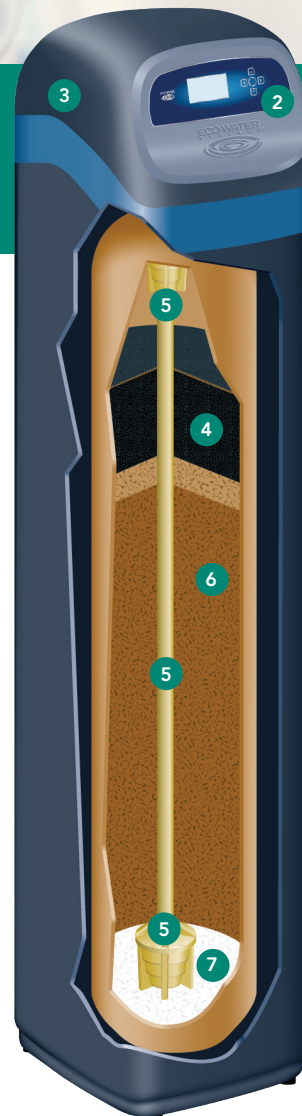
your water and

Maximize

your peace of mind.

ERRC3702

ECOWATER 3700 SERIES WATER CONDITIONING SYSTEM



The Latest Technology for Water Treatment

- 1 HydroLinkPlus® Wi-Fi and Smartphone App Monitoring**
HydroLinkPlus® – Wi-Fi enabled technology sends continuous and excessive water use, system error, low salt and service reminder alerts, including a water-to-drain sensing alert notifying you when an excessive amount of water is going to drain.
HydroLink® – Patented two-way remote monitoring also available.
Water Meter
Allowing for chemical feed dosing, flow switch operation and water use information.
- 2 Patented Electronics Digital Demand Module**
Sophisticated, yet easy-to-use electronics capture historical usage patterns to predict future needs for precise regenerations.
- 3 High Quality Fit and Finish**
- 4 Multi-Wrap Fiberglass Reinforced Resin Tank**
Durable tank liner will not deteriorate, rust, or corrode.
- 5 Full One-Inch Riser with Self-Cleaning Distributors**
One-inch diameter for increased flow rates, which ensures that household demand is adequately met. Distributors exhibit excellent flow rates and are cleaned automatically by counter-current water pressure.
- 6 Catalytic Coconut-Shell Carbon with 10 Year Warranty**
Filters the water throughout the home without compromising water flow. Reduces chloramines, reduces chlorine taste and odor, extends resin life and eliminates the need for a separate carbon filter and filter changes..
- 7 Patented Stratified Resin Bed**
Layered mix of fine and standard size resin provides superior filtration and iron removal without sacrificing flow rate capability.
- 8 Positive-Action Brine Valve**
Snap-together construction eliminates use of solvents that may contaminate water. Positive action helps prevent overfilling.



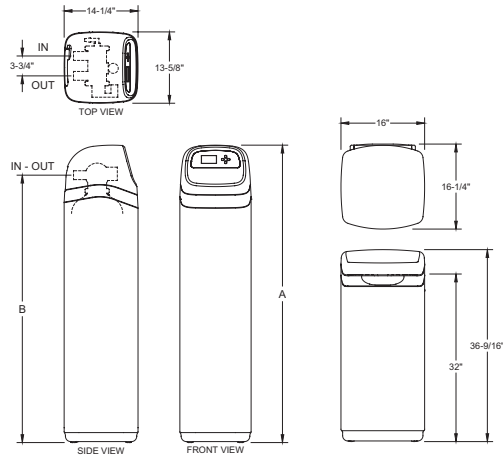
Designed, Engineered &
Assembled in the U.S.A.

ecowater.com

ERRC3702

ECOWATER 3700 SERIES WATER CONDITIONING SYSTEM

DIMENSIONS



	ERRC3702 R50
Nominal Resin Tank Size	12" Diam. x 54"
A	57 1/8"
B	63"

SPECIFICATIONS

ERRC3702R50

Efficiency (gr./lb. @ min. lb. salt dose)	4,800 @ 4.5
Hardness Capacity (gr. @ max. lb. salt dose)	50,000 @ 17.4
Intermittent Flow Rate (gpm @ psi) ¹	15 @ 15
Intermittent Flow Rate (gpm @ psi) ¹	22 @ 30
Stratified Resin Bed (lbs.)	79.56
Quartz Gravel Base (lbs.)	10
Maximum Water Hardness (grains per gallon)	95
Chloramine Removal	<70% ²
Maximum Chlorine (ppm)	4
Approximate Water Used Each Regeneration (gal.) ³	95
Salt Storage Capacity (lbs.)	300
Supply Water Pressure Limits (psi) ⁴	20-125
Supply Water Temperature Limits (°F/°C)	40-100 / 4-38
Ambient Temperature Range (°F/°C)	35-150 / 2-66
Plumbing Connection Provided (inches)	1

Electrical Requirement, 120V, 50/60Hz, (24V DC, 500 mA, power supply included)

¹Intermittent flow rate does not represent the maximum service flow rate used for determining the conditioner's rated capacity and efficiency. Continuous operation at flow rates greater than the certified flow rate may affect capacity and efficiency performance. The validity of these flow rates is verified by NSF. ²>70% removal of chloramines for a minimum of 34,000 gallons @ 10 gpm. Typical residential chloramine level is < 1 ppm. ³When operated at 35 psi water pressure. ⁴Maximum pressure for Canadian use is 7.0 Kg/cm².



Your Water. Perfected.

