

MVE Series Reverse Osmosis 500 to 2,000 GPD Capacity



Applications



Whole Home



Food Service



Car Wash

Features & Benefits

- ✓ **Compact Design** – Wall mount or floor/shelf mount
- ✓ **Ease of Serviceability** – Zero clearance required on bottom and sides. All components can be serviced from front or top of unit
- ✓ **Pretreatment Lockout** – Disables RO production during pretreatment regeneration
- ✓ **Single Power Connection** – For all controls, switches and solenoid valves
- ✓ **Filter In, Filter Out, Pump and Product Pressure Guages** – Easy to operate and maintain
- ✓ **High Flow, Low-Pressure XLP Membrane** – 98.5% maximum TDS rejection. Stands up to the most rugged of feed water conditions
- ✓ **Carbon and Sediment Filter Included** – Provides basic pretreatment, dechlorination and sediment removal down to 5 microns.
- ✓ **Standard Plumbing Connection** – Uses 1/2" Inlet, 3/8" permeate and drain connections
- ✓ **Stainless Steel Solenoid Valves**
- ✓ **Brass Vane-Type Pump** – Smooth and quiet operating (pump on 2000 GPD unit only)
- ✓ **Heavy Duty** – Powder-coated steel cabinet for durability and rust resistance. Stainless steel frame available upon request

Pre-treatment Packages Available. Pre-treatment of feed water protects and extends the life of the purification. We offer complete pretreatment capabilities that include iron filters, sediment removal, water softeners, chlorine filters and antiscalant.

Specifications

Model	R2E12-BETTER	R4E12-BETTER	R4E12P-BETTER
Part Number	13000432	13000434	13000444
Nominal Capacity	500 GPD (0.347 gpm)	1,000 GPD (0.694 gpm)	2000 GPD (1.389 gpm)
Membranes (No. & Size)	2 – 3" x 12"	4 – 3" x 12"	4 – 3" x 12"
Operating Pressure (psi)	40-125	40-125	40-125
Recovery*	up to 75%	up to 75%	up to 75%
Typical Rejection**	98%	98%	98%
Max Feed Temperature	113 F (45 C)	113 F (45 C)	113 F (45 C)
Feed pH Range	2-11	2-11	2-11
Max Chlorine***	< 0.1 ppm	< 0.1 ppm	< 0.1 ppm
Max TDS	1000	1000	1000
Electrical	110V 60Hz, 1-phase	110V 60Hz, 1-phase	110V 60Hz, 1-phase
Motor	N/A	N/A	1/3 HP
Shipping Weight (lbs.)	75	80	100

* Ships with flow control to receive approximately 50% recovery.

** RO Performance may vary depending on feed water characteristics.

*** Please ensure carbon filter is replaced regularly to ensure feed water remains dechlorinated for proper performance.

Pre-treatment Packages Available. Pre-treatment of feed water protects and extends the life of the purification. We offer complete pretreatment capabilities that include iron filters, sediment removal, water softeners, chlorine filters and antiscalant.

Accessory Options

651030 - MVE/LVE Replacement Membrane

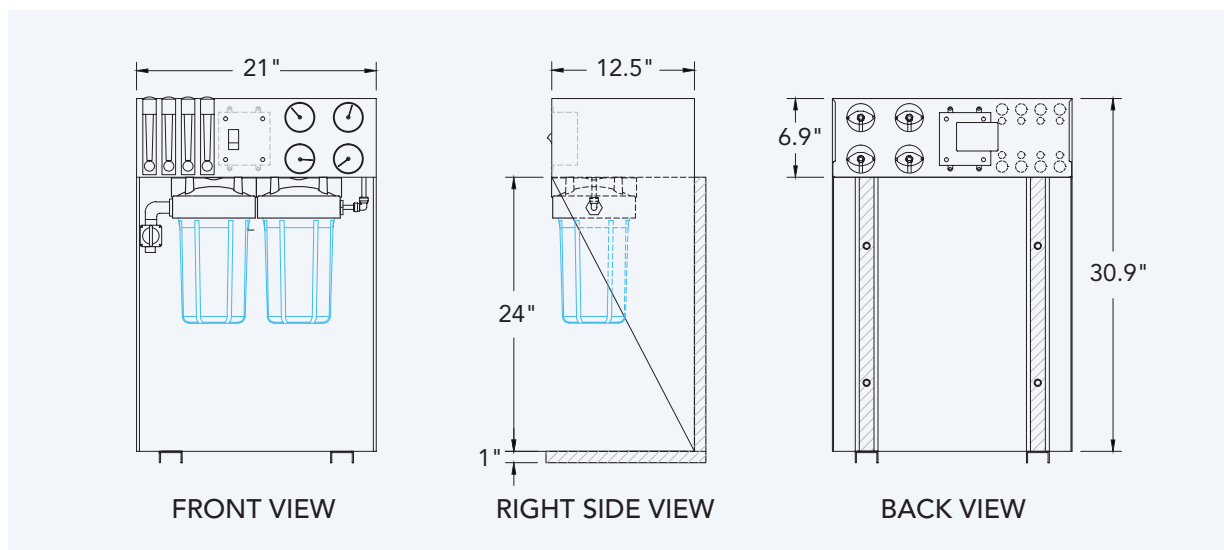
235024 - 5-Micron Sediment Filter Cartridge

235037 - Carbon Filter

Please see manual for a complete service parts list.

Please contact ecicustomerservice@ecowater.com to learn more about our offering for both pressurized and atmospheric storage and delivery solutions.

Dimensions



For speedy quotes or answers to questions, contact us at:

ecicustomerservice@ecowater.com



Specifications subject to change without notice. Orders are subject to acceptance by EcoWater Systems LLC.

5240 Bradco Blvd, Mississauga, ON L4W 1G7 | 800.752.3273

www.eciwater.com | 1890 Woodlane Drive, Woodbury MN 55125 | 800.228.9326 | ©2015. All Rights Reserved.

0602917-CE Rev. B 07/15