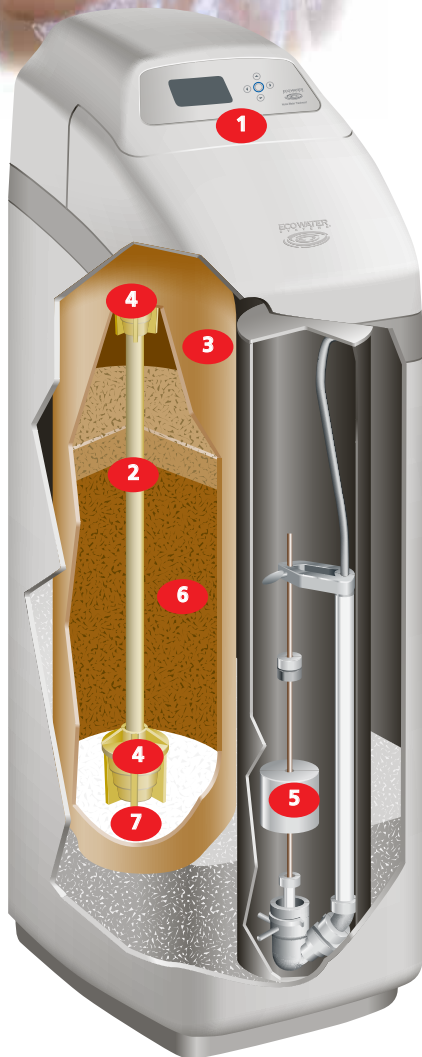


ECR 3500

EcoWater Series • Water Conditioner



Clean water.
Green future.



The Latest Technology for Water Treatment

Bypass Valve (optional)

Brass-free and lead-free bypass valve lets you manually bypass the system.

- 1 Patented Electronic Digital Demand Module**
Solid-state electronics record usage patterns and control regeneration frequency based on predicted needs. Full menu-driven options.
- 2 Full One-Inch Riser**
One-inch diameter for increased flow rates, which ensures that household demand is adequately met.
- 3 Multi-Wrap Reinforced Resin Tank**
High Density Polyethylene (HDPE) liner with an epoxy fiberglass composite winding. Doesn't deteriorate, rust, or corrode.
- 4 Self-Cleaning Distributors**
Distributors exhibit excellent flow rates and are cleaned automatically by counter-current water pressure.
- 5 Positive-Action Brine Valve**
Snap-together construction eliminates use of solvents that may contaminate water. Positive action helps prevent overfilling.

Patented Six/Eight-Cycle Valve with Easy-Clamp Ring and Patented Teflon® Discs

- 6 Patented Stratified Resin Bed**
Patented mix of stratified resins provides superior filtration and iron removal without sacrificing flow rate capability.
- 7 Washed Quartz Underbedding**
Washed quartz doesn't impart hardness into softened water and allows for more powerful "piston effect" during counter-current cycles.
- 8 HydroLink™ Remote (patent pending)**
Two-way remote technology that makes it possible to control and monitor the Series 3500 water conditioner from anywhere in the home.

24-Volt Transformer – ENERGY STAR® qualified

Barium and Radium

This softener has been tested and certified by NSF International and WQA against NSF/ANSI Standard 44 for the reduction of Barium and Radium 226/228.

Patented Exclusive Features

- Teflon Disc Valve
- Electronics
- Design
- Remote
- Salt Level Monitor
- Stratified Resin Bed



Series 3500
HydroLink™ Remote

FC Tested to comply with FCC Standards IC3590A-7695.



*Teflon is a registered trademark of DuPont.

ECOWATER.CA

ECR 3500

Specifications

	ECR 3500R20	ECR 3500R30
Efficiency (gr./lb. @ min.lb. salt dose)	5,150 @ 1.1	5,160 @ 1.6
Hardness Capacity (gr. @ max. lb. salt dose)	20,400 @ 7.5	30,200 @ 11.8
Certified Flow Rate (gpm @ psi)	9 @ 10	11 @ 8
Intermittent Flow Rate (gpm @ psi) ¹	12 @ 15	16.5 @ 15
Intermittent Flow Rate (gpm @ psi) ¹	19.4 @ 30	25.8 @ 30
Patented Resin Bed #5464532 (lbs.)	32	47
Quartz Gravel Base (lbs.)	8	10
Maximum Recommended Water Hardness (gpg @ 500 gpd water usage)	40	60
Maximum Clear Water Iron (ppm-Fe) ²	10	12
Average Water Used Each Regeneration (gal.) ³	29	36
Salt Storage Capacity (lbs.)	225	200
Supply Water Pressure Limits (psi) ⁴	20 – 125	20 – 125
Supply Water Temperature Limits (°F)	40 – 120	40 – 120
Ambient Temperature Range (°F)	35 – 150	35 – 150
Plumbing Connection Provided (inches)	1 to 1 ^{1/2}	1 to 1 ^{1/2}
Electrical Rating (transformer provided)	24V-50/60Hz	24V-50/60Hz

¹Intermittent flow rate does not represent the maximum service flow rate used for determining the softener's rated capacity and efficiency. Continuous operation at flow rates greater than the certified flow rate may affect capacity and efficiency performance. The validity of these flow rates is verified by NSF.

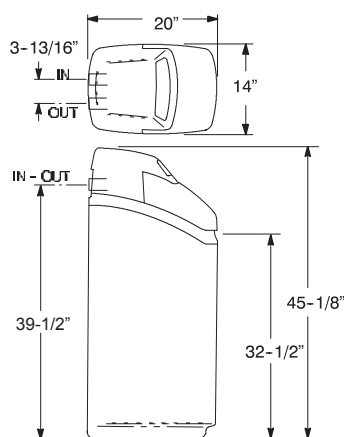
²Increased amounts of clear water iron can reduce softeners efficiency. Refer to owner's manual for details. Wisconsin requires additional treatment if water supply contains greater than 5 ppm clear water iron.

³When operated at 35 psi water pressure

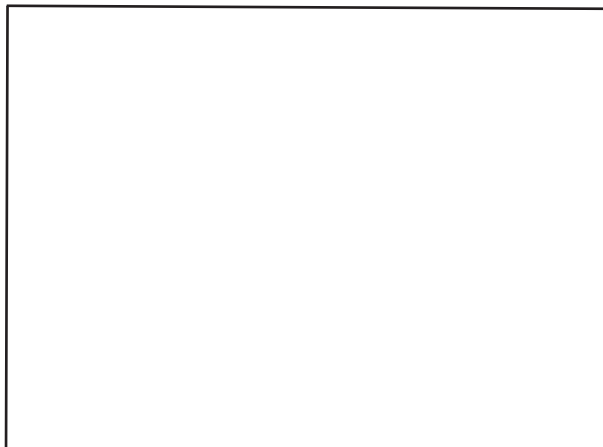
⁴Maximum pressure for Canadian use is 7.0 Kg/cm²

Dimensions

	ECR 3500R20	ECR 3500R30
Nominal Resin Tank Size	8" Dia. x 35"	10" Dia. x 35"



Your Authorized EcoWater Dealer:



EcoWater Canada Ltd. 5240 Bradco Blvd. Mississauga, Ontario Canada L4W 1G7

850759

10/11

Printed in Canada

EcoWater Canada Ltd.

ECOWATER.CA