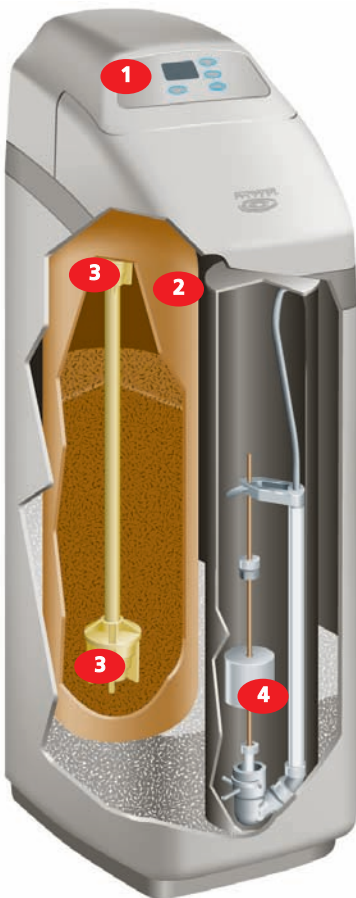


ESD 500

EcoWater Series • Water Softener



Clean water.
Green future.



The Latest Technology To Improve Your Water

Bypass Valve (optional)

Brass-free and lead-free bypass valve lets you manually bypass the system.

- 1 Patented Electronic Digital Demand Module**
Solid-state electronics record usage patterns and control regeneration frequency based on predicted needs.

Time Keeper

Permanent program memory with capacity-backed time retention. Maintains time for at least 6 hours in case of power loss.

- 2 Multi-Wrap Reinforced Resin Tank**
High Density Polyethylene (HDPE) liner with an epoxy fiberglass composite winding. Doesn't deteriorate, rust, or corrode.
- 3 Self-Cleaning Distributors**
Distributors exhibit excellent flow rates and are cleaned automatically by counter-current water pressure.
- 4 Positive-Action Brine Valve**
Snap-together construction eliminates use of solvents that may contaminate water. Positive action helps prevent overfilling.

24-Volt Transformer

Simplifies installation, maintenance and reduces electrical hazards. ENERGY STAR® power supply for more efficient power use.

Automatic Bypass During Regeneration Means Continuous Water Usage

*Teflon is a registered trademark of DuPont.



ECOWATER
SYSTEMS®



A Marmon Water /
Berkshire Hathaway Company

ECOWATER.CA

ESD 500

Specifications

	ESD 518D	ESD 525
Efficiency (gr./lb.)	5,030	5,100
Rated Softening Capacity (Grains @ lb. Salt Dose)	10,100 @ 2.0 21,500 @ 6.4	15,900 @ 3.1 27,900 @ 8.8
Hardness Capacity (gr. @ max. lb. salt dose)	25,600 @ 10.7	33,000 @ 14.4
Certified Flow Rate (gpm @ psi)	5 @ 7	6 @ 7
Intermittent Flow Rate (gpm @ psi) ¹	8.7 @ 15	9.2 @ 15
Intermittent Flow Rate (gpm @ psi) ¹	13.5 @ 30	13.8 @ 30
Maximum Clear Water Iron (ppm-Fe)	7	9
Supply Water Pressure Limits (psi) ²	20 - 125	20 - 125
Supply Water Temperature Limits (°F)	40 - 100	40 - 100
Service Flow Rate (gpm) ³	5.0	6.0
Water Used Each Regeneration (gal.) ⁴	31	35
Electrical Rating (transformer provided)	24V-50/60Hz	24V-50/60Hz

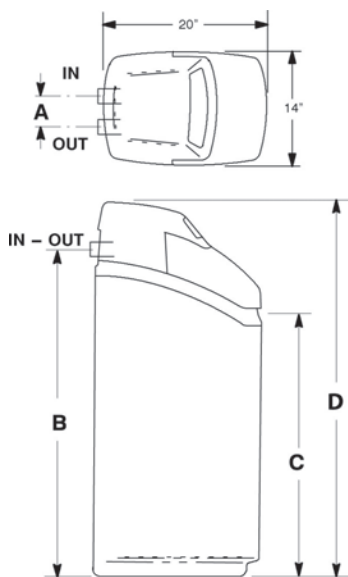
¹Intermittent flow rate does not represent the maximum service flow rate used for determining the softener's rated capacity and efficiency. Continuous operation at flow rates greater than the certified flow rate may affect capacity and efficiency performance.

²Maximum pressure for Canadian use is 7.0 Kg/cm²

³Not to exceed 15 psi pressure loss

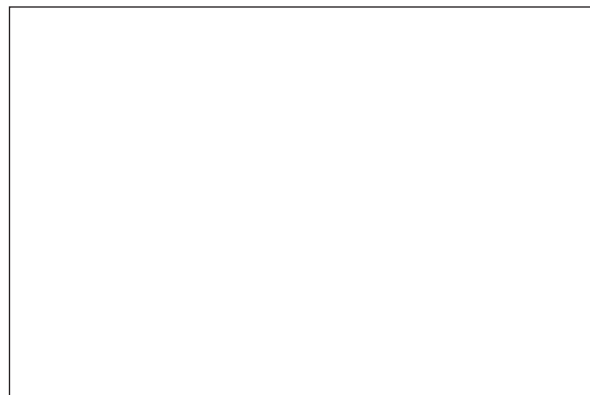
⁴When operated at 35 psi water pressure

Dimensions



	ESD518D	ESD525
Nominal Resin Tank Size	8" Dia. x 35"	10" Dia. x 35"
A	3.375"	3.375"
B	38.125"	39.5"
C	32.5"	32.5"
D	45"	45.125"

Your Authorized EcoWater Dealer:



Powered by an ENERGY STAR® qualified adapter for a better environment



EcoWater Canada Ltd. 5240 Bradco Blvd. Mississauga, Ontario Canada L4W 1G7

850744

05/09

Printed in Canada

EcoWater Canada Ltd.

ECOWATER.CA